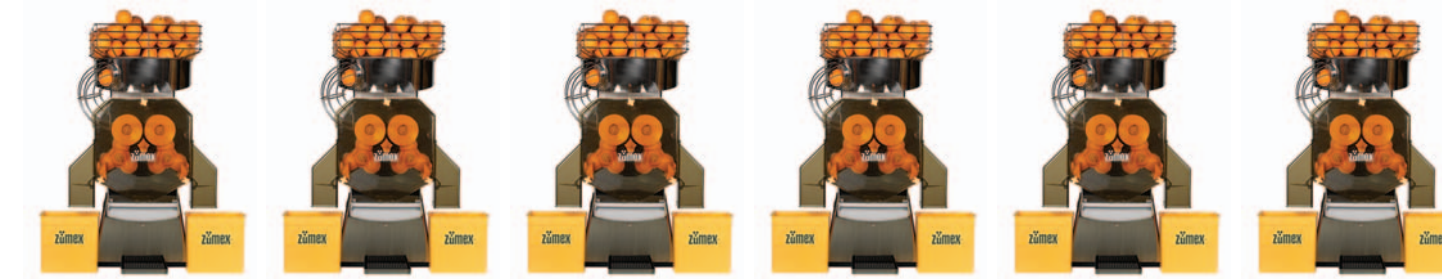
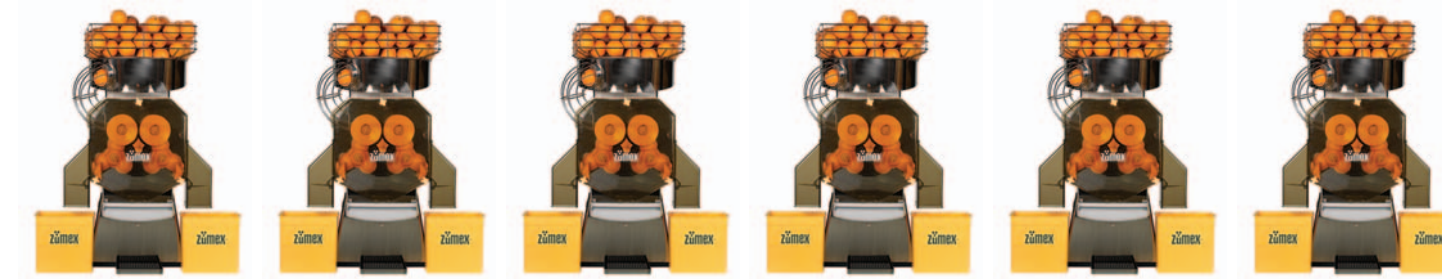
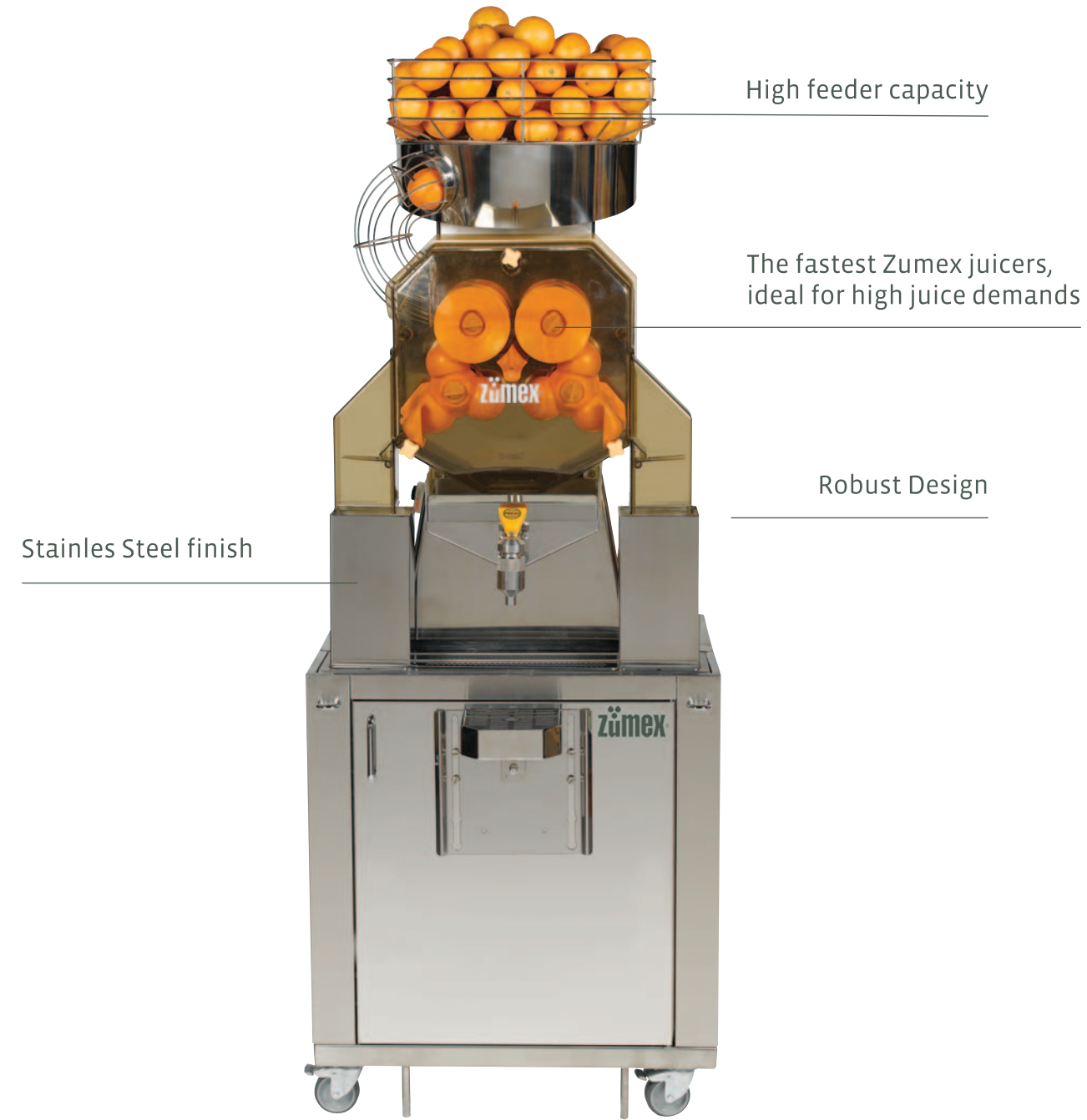


Technologically Perfect



Speed

Speed Range, high performance

The ZUMEX Speed range is the classical machine par excellence. It is the machine which is most similar to the first machine manufactured by Zumex, equally sturdy and resistant, but with major advances making it effective and modern.

The Speed models have a very high production/squeezing speed ratio and they are the fastest Zumex achas got. They are all fitted with a feeder which has the capacity for 15 kg of oranges and there are versions adapted to every usage need: basic, self-service, filling bottles...

They are particularly suited to large-scale production, retail services, buffets, fast food and self service but are also ideal for bars, cafeterias and restaurants with client peak times during the course of the day.



www.zumex.com

Poligono Ind. Moncada III - C/ Molí, 2 - 46113 - Moncada - Valencia - España - Tel.: +34 961 301 251 - Fax: +34 961 301 255 - zumex@zumex.com

zumex



General Characteristics

ZUMEX SPEED

Available in Standard and Digital version.

The digital version allows to program the oranges to be squeezed and is equipped with an orange counter.

Perfect for foodservice business with high juice demand.

Technical characteristics

Fruits per minute	32 oranges/min
Feeder capacity	15 kg / 33lb
Fruit diameter	Up to 81
Dimensions	99x64 x62cm / 38"x23"x24"
Net weight	60 kg / 132lb
Consumption	0.3 kW
Voltage	230-240V 50-60 Hz / 115V 60 Hz
Anti-humidity protection	IP-X4
Security	Double magnetic safety detector and electronic motor protection.

ZUMEX SPEED TANK PODIUM

Equipped with a transparent 5 litre tank for freshly squeezed juice. Available in Standard and Digital version. The digital version allows to program the oranges to be squeezed and is equipped with counter.

Stainless steel podium with wheels and large capacity waste bucket. Perfect for large retail and foodservice business.

Technical characteristics

Fruits per minute	38 oranges/min
Feeder capacity	15 kg / 33lb
Fruit diameter	Up to 81
Dimensions	176x58x72cm / 69"x26"x28"
Net weight	101 kg / 223lb
Consumption	0.3 kW
Voltage	230-240V 50-60 Hz / 115V 60 Hz
Anti-humidity protection	IP-X4
Security	Double magnetic safety detector and electronic motor protection.

ZUMEX SPEED SELF-SERVICE ZUMEX SPEED SELF-SERVICE PODIUM

Fitted with a automatic startup system by simply applying pressure on the tap. Very simple operation, even directly by the consumer. Available with stainless steel podium with wheels and large capacity waste bucket. Ideal for self-service restaurants, hotel buffets and traditional catering.

Technical characteristics

Fruits per minute	38 oranges/min
Feeder capacity	15 kg / 33lb
Fruit diameter	Up to 81
Dimensions	104x70x64cm / 41"x27"x25" (with podium: 176x72x68cm / 69"x28"x27")
Net weight	62 kg / 137lb (with podium: 104kg/229lb)
Consumption	0.3 kW
Voltage	230-240V 50-60 Hz / 115V 60 Hz
Anti-humidity protection	IP-X4
Security	Double magnetic safety detector and electronic motor protection.

ZUMEX SPEED COOLER PODIUM

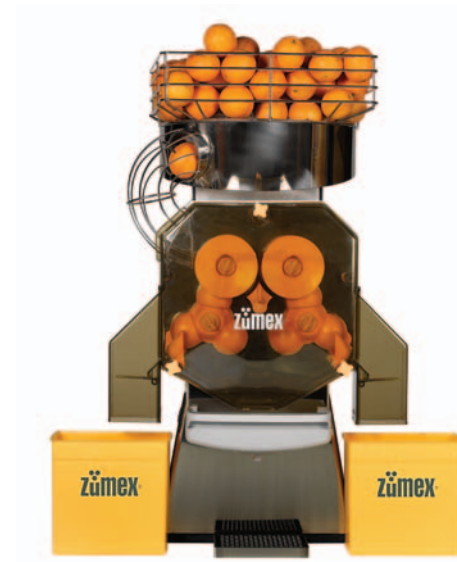
The best solution to provide cooled freshly squeezed juice. Cooler unit with temperature regulation and a 7 litre tank, with level detector. The machine squeezes automatically when level lower than programmed is detected.

Stainless steel podium with wheels and large capacity waste bucket. Perfect for large retail and foodservice business.

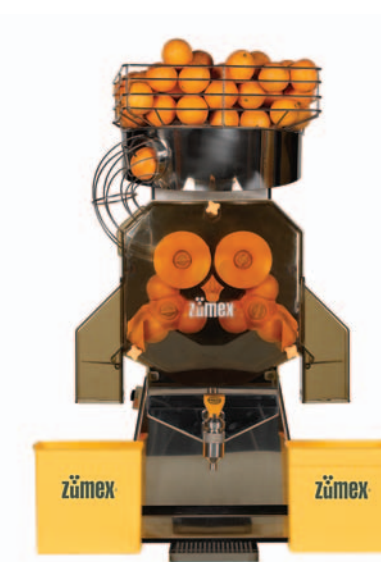
Technical characteristics

Fruits per minute	38 oranges/min
Feeder capacity	15 kg / 33lb
Fruit diameter	Up to 81
Dimensions	185x68x74cm / 72"x26"x29"
Net weight	115 kg / 252lb
Consumption	0.3 kW
Voltage	230-240V 50-60 Hz / 115V 60 Hz
Anti-humidity protection	IP-X4
Security	Double magnetic safety detector and electronic motor protection.

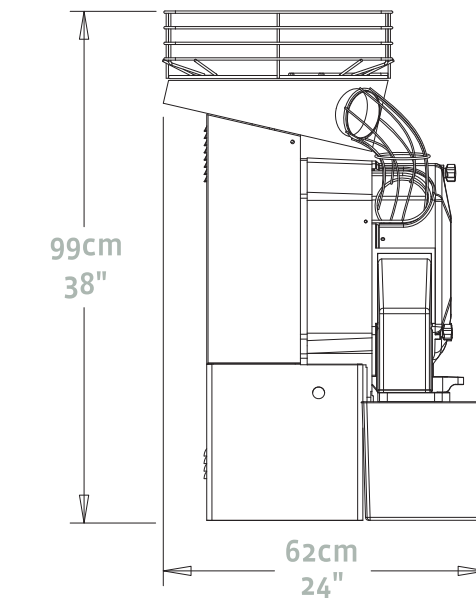
Speed Versions



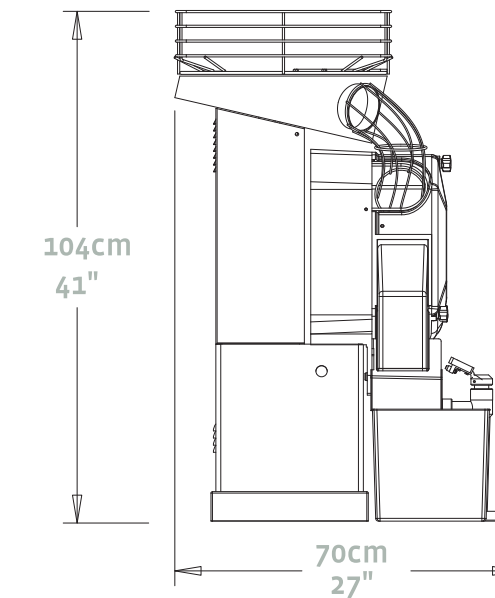
ZUMEX SPEED



ZUMEX SPEED SELF-SERVICE



ZUMEX SPEED



ZUMEX SPEED SELF-SERVICE



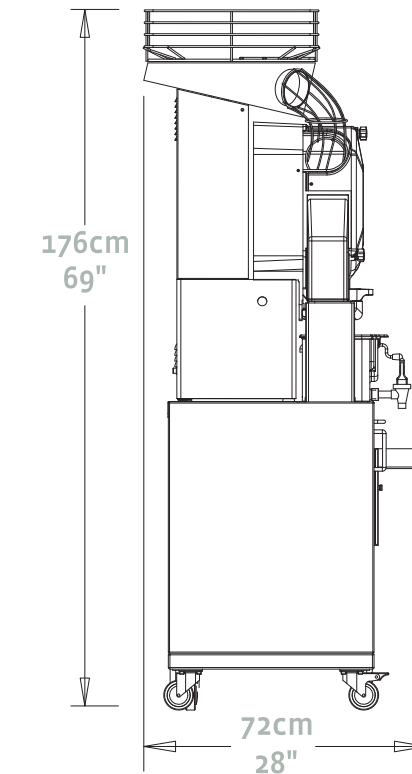
ZUMEX SPEED TANK PODIUM



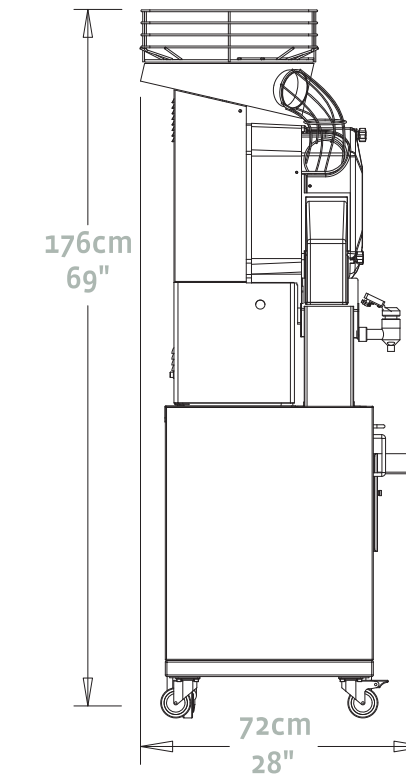
ZUMEX SPEED SELF-SERVICE PODIUM



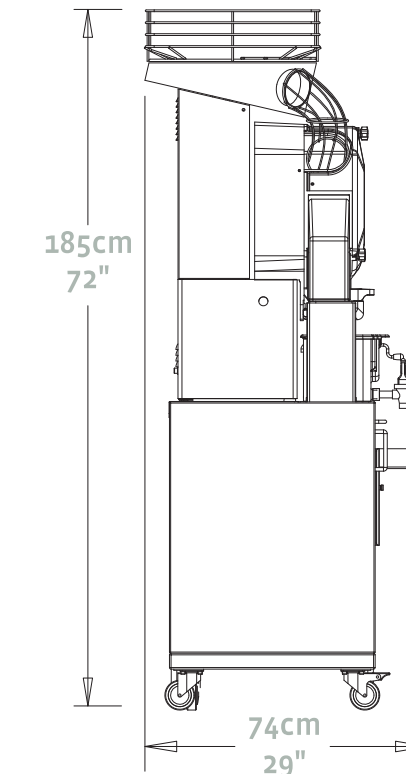
ZUMEX SPEED COOLER PODIUM



ZUMEX SPEED TANK PODIUM

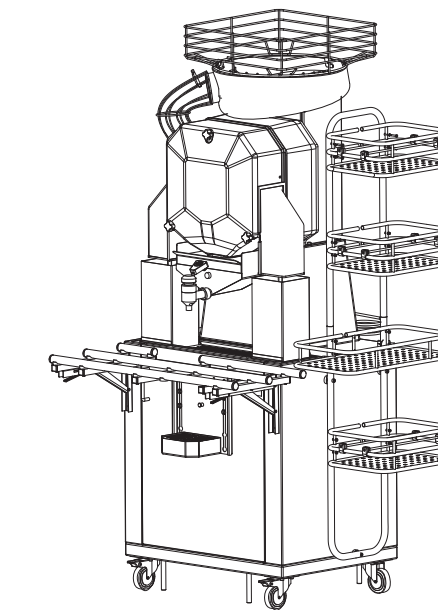


ZUMEX SPEED SELF-SERVICE PODIUM



ZUMEX SPEED COOLER PODIUM

Accessories



Bottles/cups kit (*):

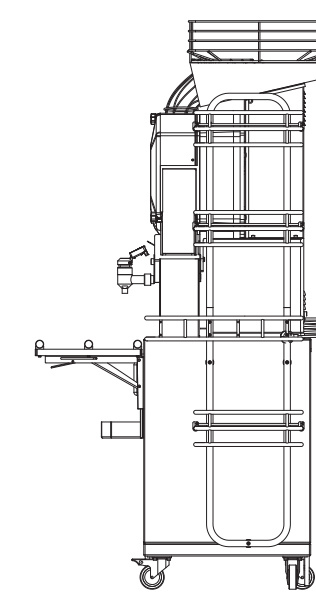
A system that is fixed onto the machine and dispenses cups or bottles for the consumers – ideal for self-service locations.

Self-Service tray kit (*):

Front tray to support the tray, in Self-Service locations.

D65 squeezing kit:

For squeezing fruit with a diameter under 65 mm.



Kit to fix on the countertop (**):

To fix the machine on a countertop so that the peel falls into a bucket underneath.

Zumex Displays:

Stainless Steel Displays to place bottled freshly-squeezed juice on ice. Available in two sizes.

CITROCLEAN:

This product is specially formulated to clean by immersion components and pieces of Zumex juicers.

(* Only for models with stand

(**) Only for models without stand